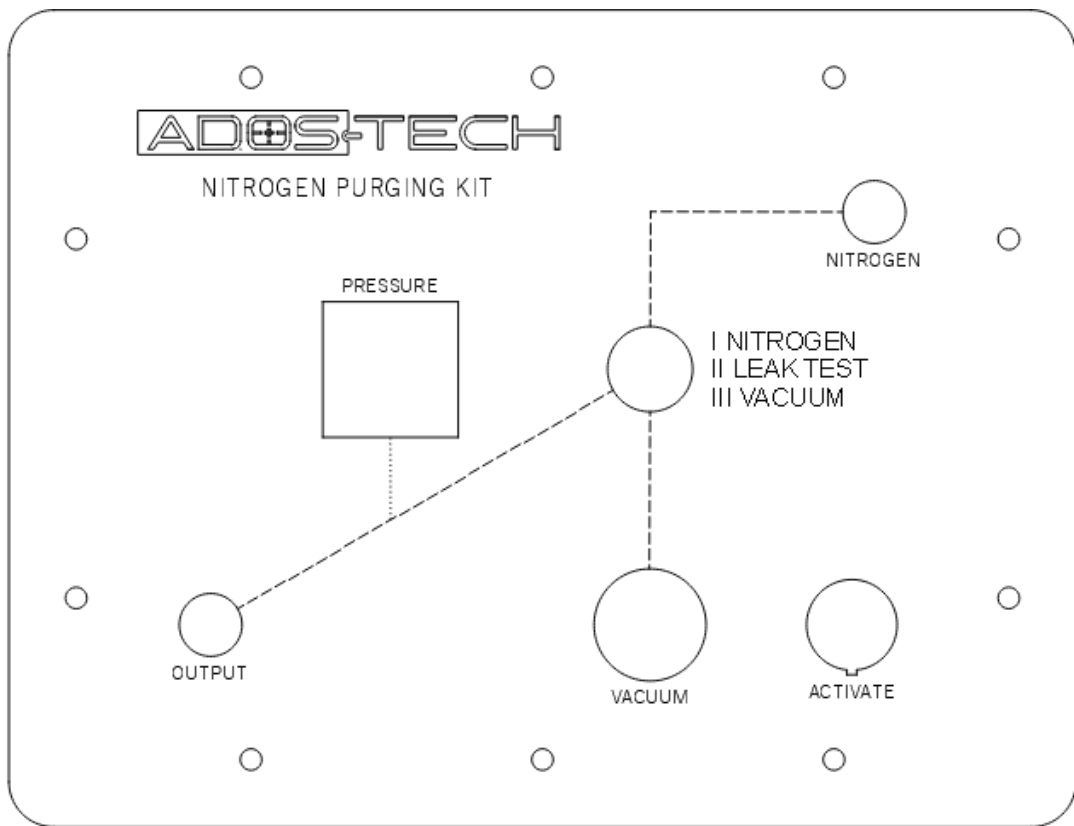


NITROGEN PURGING KIT



USER MANUAL

Contents

Safety	3
Introduction	4
Package	5
Description	6
Set-up	7
Operation	8

Safety

- Purging equipment must be used with all safety precautions required using pressurized equipment and devices.
- Purging equipment is delivered without gas cylinder or other pressurized containers.
- Purging kit operator must be instructed to work with pressurized containers and gasses used in purging.
- High pressure gas tank or other gas supply must have a valid certificate.
- Purging kit is intended for using with nitrogen gas only.
- Follow operation and safety instructions of nitrogen gas cylinder manufacturer or nitrogen gas supplier.
- Do not exceed purging kit specifications. (Page 4, Table 1)
- Always perform equipment set-up procedure before operating. (Page 7)
- Always follow operating instructions when using purging kit. (Page 8)

Introduction

1. Nitrogen purging kit is intended for purging various devices with nitrogen gas and removing moisture and oxygen.

Block diagram explains main components and work principle of equipment. (Figure 1)

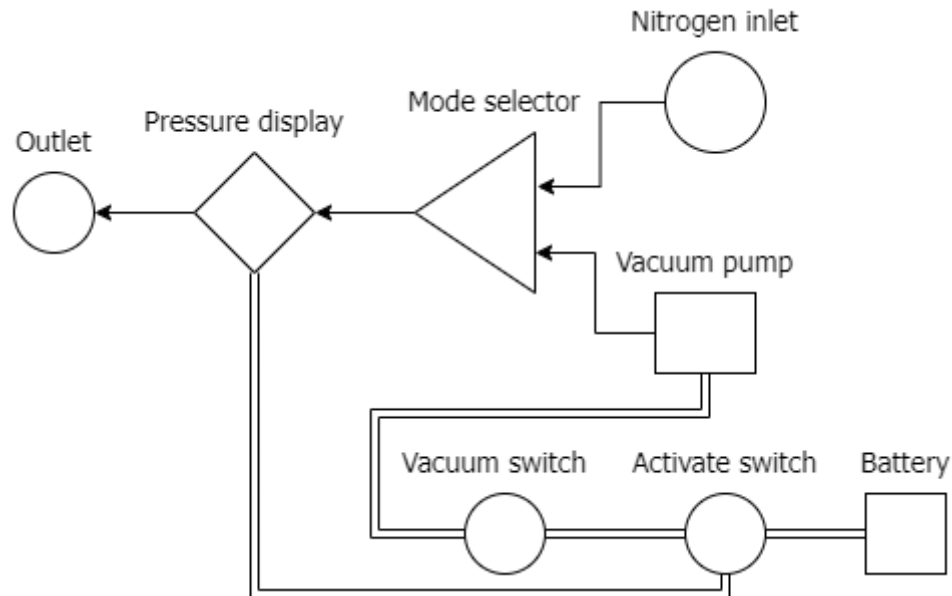


Figure 1. Purging kit block diagram

2. Main specifications for the purging kit are listed in Table 1.

Description	Specification
Pressure display units	PSI
Battery capacity	2400mAh
Charging voltage	12.6V
Maximum nitrogen supply pressure	20 PSI
Vacuum pressure	-7 PSI
Maximum nitrogen tank pressure	200 BAR

Table 1. Purging kit specifications

Package

Nitrogen purging kit package contents show in Figure 2:

1. Control box
2. Nitrogen pressure regulator
3. Pneumatic tubes
4. Battery charger
5. Purging adapter
6. Manual



Description

Main functions and components explanation:

Connections.

- 1.1 Nitrogen gas 6mm tube inlet
- 1.2 Nitrogen/vacuum 6mm tube outlet
- 1.3 Battery charger DC connector (back of the device)

1. Switches

- 1.1 Power switch activates device
- 1.2 Vacuum switch activates vacuum pump
- 1.3 Mode selector switches between nitrogen, leak test and vacuum

2. Indicators

- 2.1 Activate switch lights up in green when equipment is turned on
- 2.2 Pressure display shows current pressure feed to outlet



Equipment set-up

1. Prepare nitrogen supply:
 - 1.1 Adjust gas tank pressure regulator to required pressure. Different devices and methods require different pressures. Example, when purging night vision devices pressure should not exceed ± 3 PSI of nitrogen.
 - 1.2 Connect nitrogen gas tube to pressure regulator at tank side, then connect other end of the tube to nitrogen inlet of the purging kit.
2. Purging kit and nitrogen pressure check:
 - 2.1 Switch on purging kit by pressing ACTIVATE switch.
 - 2.2 Close output of the purging kit.
 - 2.3 Switch mode selector to upper position NITROGEN.
 - 2.4 Check pressure indicator whether shown pressure is safe to use.
 - 2.5 Switch mode selector to middle position LEAK TEST and open purging kit output to release nitrogen from purging kit.
 - 2.6 Close purging kit output and switch mode selector to bottom position VACUUM.
 - 2.7 Press and hold VACUUM switch. Check pressure indicator if vacuum pressure is sufficient for operation.
 - 2.8 Open purging kit output to release vacuum pressure.

Operation

Before operating purging kit equipment set-up must be completed.

1. Preparation for operation

1.1 Turn on purging kit by pressing ACTIVATE switch.

1.2 Check nitrogen pressure on regulator on the tank.

1.3 Switch purging kit mode selector to middle position LEAK TEST.

1.4 Connect tube from nitrogen pressure regulator to NITROGEN inlet of purging kit.

1.5 Open nitrogen supply to purging kit.

1.6 Attach purging adapter to object to be purged.

1.7 Connect output tube to purging kit OUTPUT. Connect output tube to purging adapter.

2. Operation

2.1 Switch mode selector to bottom position VACUUM.

2.2 Press VACUUM switch to activate vacuum pump and hold until \pm -8 PSI is reached.

2.3 Release VACUUM switch, switch mode selector to middle position LEAK TEST.
Pressure display will indicate vacuum pressure inside the device.

2.4 After testing the device for leaking, switch mode selector to upper position NITROGEN, pressure display will indicate nitrogen pressure being supplied to the device through purging kit output.

2.5 Switch mode selector to middle position LEAK TEST.

2.6 Remove purging adapter from device and close.