

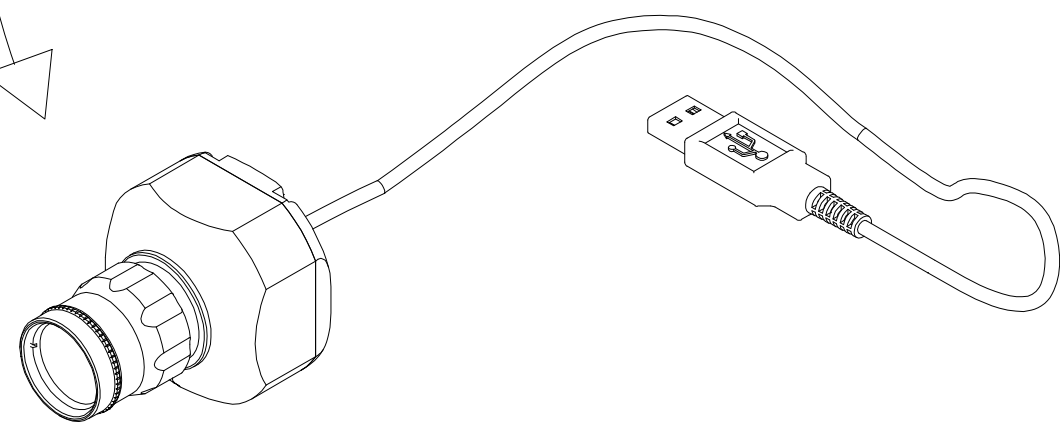
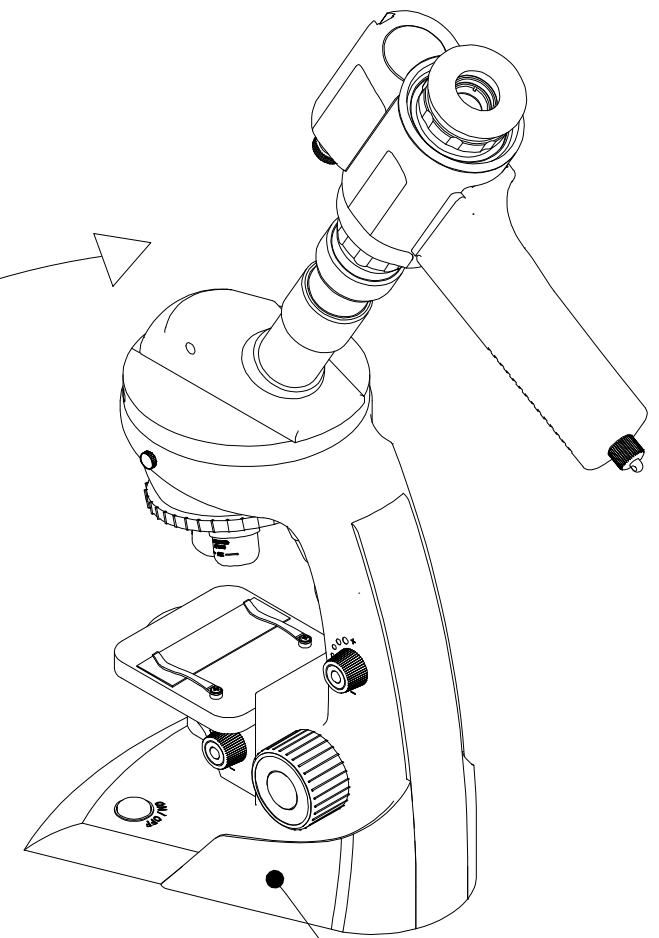
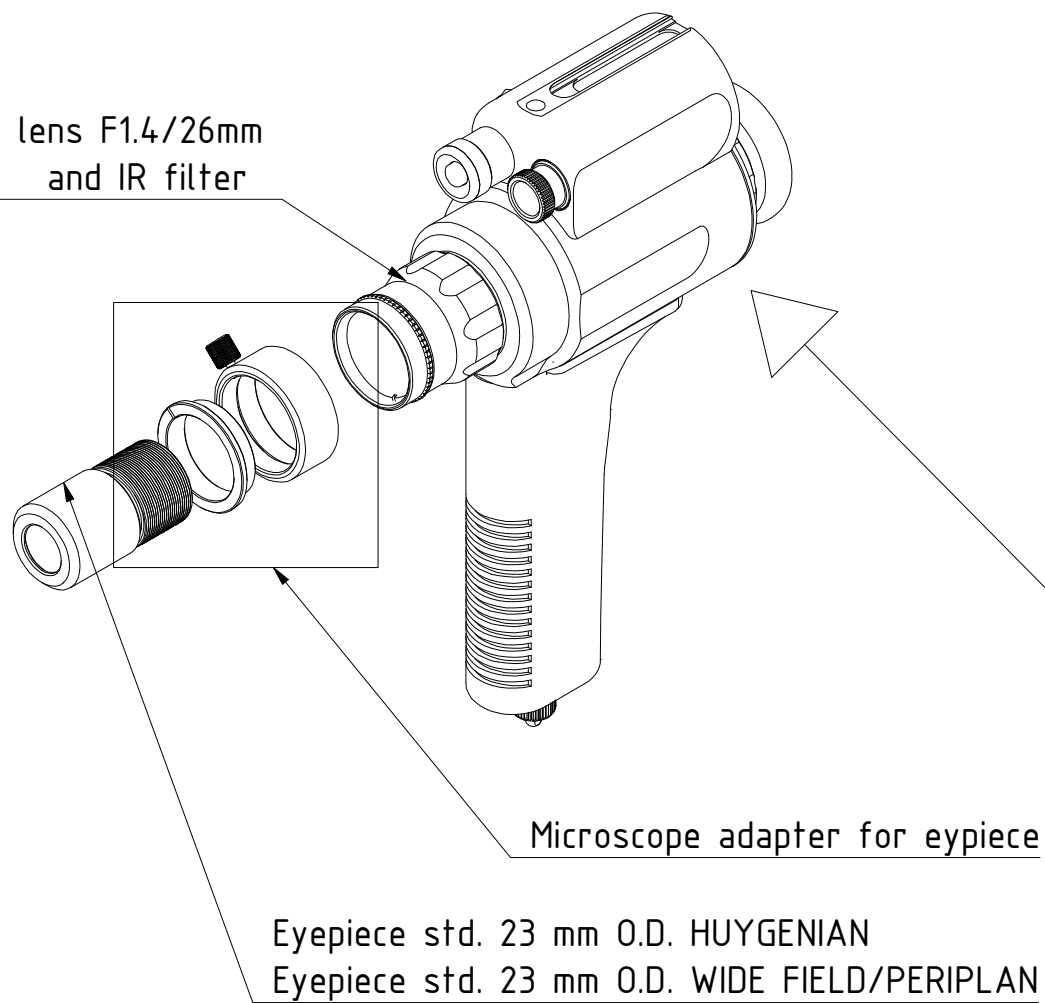
6 5 4 3 2 1

D

D

Contour IR digital CMOS or Contour IR CCD cameras can be used with same microscope adapter configuration as ABRIS to mount on microscope and observe image from Viewer eyepiece or camera output.

Objective lens F1.4/26mm and IR filter



FOR INFORMATION ONLY
NOT FOR MANUFACTURING PURPOSES

irvi infrared viewers

UAB ADOS-TECH Moklininkų st. 2A,
08412 Vilnius, Lithuania

Designed by Robertas G.	Drawing Projection		Scale
Part No. ABRIS_micro_adapter	Weight 0.330 kg	Size A3	Sheet 1 / 1

6 5 4 3 2 1

A

A